



REPLY TO
ATTENTION OF

AAHS-IHS (840-10a)

DEPARTMENT OF THE ARMY
THE INSTITUTE OF HERALDRY
9325 GUNSTON ROAD, ROOM S112
FORT BELVOIR, VIRGINIA 22060-5579

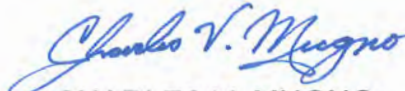
JUN 17 2015

MEMORANDUM FOR Commander, D Company, 52d Infantry Regiment, ATTN: 1SG William Hutson, 9507 Shimla Drive, Killeen, TX 76542

SUBJECT: Beret Flash and Background Trimming for Company D, 52d Infantry Regiment

1. Your request that the beret flash and background trimming of Company E, 52d Infantry Regiment be redesignated for Company D has been approved as outlined in enclosure 1.
2. Also enclosed for use in procurement of the items are:
 - a. Manufacturing drawings for the flash and trimming (encls 2 and 3).
 - b. Color prints of the flash and trimming (encls 4 and 5).
 - c. Line drawings of the flash and trimming (encls 6 and 7).
 - d. A list of certified manufacturers and procedures for local procurement of insignia (encls 8 and 9).
3. POC this Institute is Mrs. Henning, DSN 656-4972, Commercial (703) 806-4972 or by email at Bonnie.s.henning.civ@mail.mil.

9 Encls
as


CHARLES V. MUGNO
Director



REPLY TO
ATTENTION OF

AAHS-IHS (840-10a)

DEPARTMENT OF THE ARMY

THE INSTITUTE OF HERALDRY
9325 GUNSTON ROAD, ROOM S112
FORT BELVOIR, VIRGINIA 22060-5579

JUN 17 2015

MEMORANDUM FOR Commander, D Company, 52d Infantry Regiment, ATTN: 1SG William Hutson, 9507 Shimla Drive, Killeen, TX 76542

SUBJECT: Beret Flash and Background Trimming for Company D, 52d Infantry Regiment

1. The beret flash and background trimming redesignated effective this date for Company D, 52d Infantry Regiment, was **originally authorized** for the Company E, 52d Infantry (ABN) (LRS) by letter TAPC-PDH-R, The Institute of Heraldry, 11 September 1995.
2. The descriptions of the designs are as follows:

BERET FLASH

A blue shield-shaped embroidered item with a semi-circular base, 2 1/4 inches (5.72 cm) in height and 1 7/8 inches (4.76 cm) in width overall, edged with a 1/8 inch (.32 cm) yellow border, a yellow diagonal band from upper left to lower right bearing a red lightning flash issuing from upper left.

BACKGROUND TRIMMING

An oval-shaped embroidered item 1 3/8 inches (3.49 cm) in height and 2 1/4 inches (5.72 cm) in width overall, edged with a 1/8 inch (.32 cm) black border, divided diagonally from upper left to lower right, blue over yellow, by a red lightning flash.

CABLE NUMBERS OF COLORS

Scarlet	#67111
Old Glory Blue	#67178
Yellow	#67108
Black	#67138

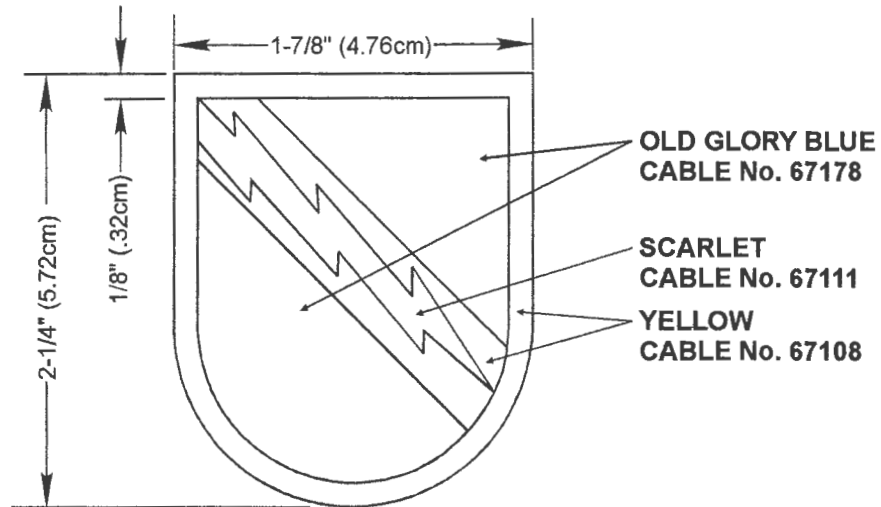
3. This authorization does not grant exclusive use of the above colors and pattern design for Company D, 52d Infantry Regiment.


CHARLES V. MUGNO
Director

CF: CMH

REVISIONS

LTR	DESCRIPTION	DATE	APPROVED
-----	-------------	------	----------



DESIGNED FOR OVEREDGE STITCHING

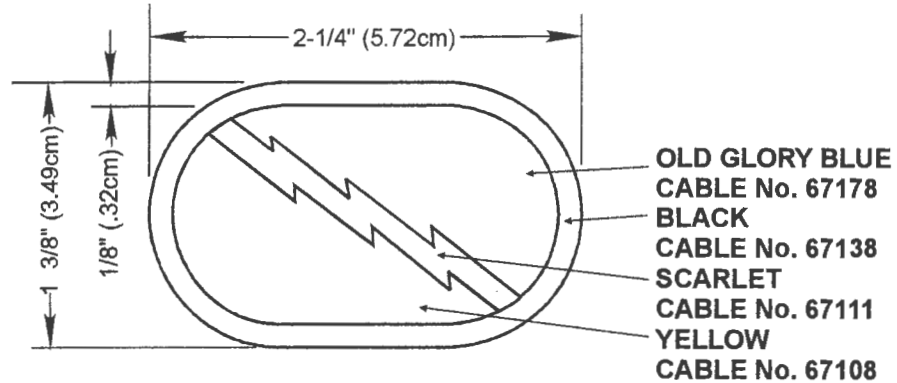
SUPERSEDES TIOH DWG. No. A-4-164 DTD 31 AUGUST 1995

UNLESS OTHERWISE SPECIFIED DIMENSIONS ARE IN INCHES TOLERANCES ON FRACTIONS DECIMALS ANGLES			THE INSTITUTE OF HERALDRY, DEPARTMENT OF THE ARMY 9325 GUNSTON RD, RM S-113 FORT BELVOIR, VA 22060-5579	
	EXAMINED	<i>TC</i>	BERET FLASH FOR	
	CHECKED	<i>CO</i>	<i>Co D 52D INFANTRY</i>	
	PREPARED	CLH		
MATERIALS: TO BE MANUFACTURED IN ACCORDANCE WITH MIL-DTL-14652	APPROVED	SIZE A	CONTROL IDENT. NO 22571	A-4-164
CHARLES V. MUGNO DIRECTOR		SCALE	DATE	28 MAY 2015

Encl 2

REVISIONS

LTR	DESCRIPTION	DATE	APPROVED
-----	-------------	------	----------



DESIGNED FOR OVEREDGE STITCHING

SUPERSEDES TIOH DWG. No. A-6-182 DTD 31 AUGUST 1995

UNLESS OTHERWISE SPECIFIED DIMENSIONS ARE IN INCHES TOLERANCES ON FRACTIONS DECIMALS ANGLES	THE INSTITUTE OF HERALDRY, DEPARTMENT OF THE ARMY 9325 GUNSTON RD, RM S-113 FORT BELVOIR, VA 22060-5579		
	EXAMINED		
MATERIALS: TO BE MANUFACTURED IN ACCORDANCE WITH MIL-DTL-14652	CHECKED	<i>CLH</i>	<i>500</i>
	PREPARED	<i>CLH</i>	
	APPROVED	<i>Charles V. Mugno</i> CHARLES V. MUGNO DIRECTOR	
BACKGROUND TRIMMING FOR		SIZE	CONTROL IDENT. NO
Co D 52D INFANTRY		A	22571
		SCALE	DATE
		FULL	28 MAY 2015
		A-6-182	

Encl 3





